

WIRING DIAGRAMS (CONVERTIBLE & COUPE)

1988 Chrysler LeBaron Convert/Coupe

1988 Wiring Diagrams
Chrysler Motors

LeBaron Coupe & Convertible

IDENTIFICATION

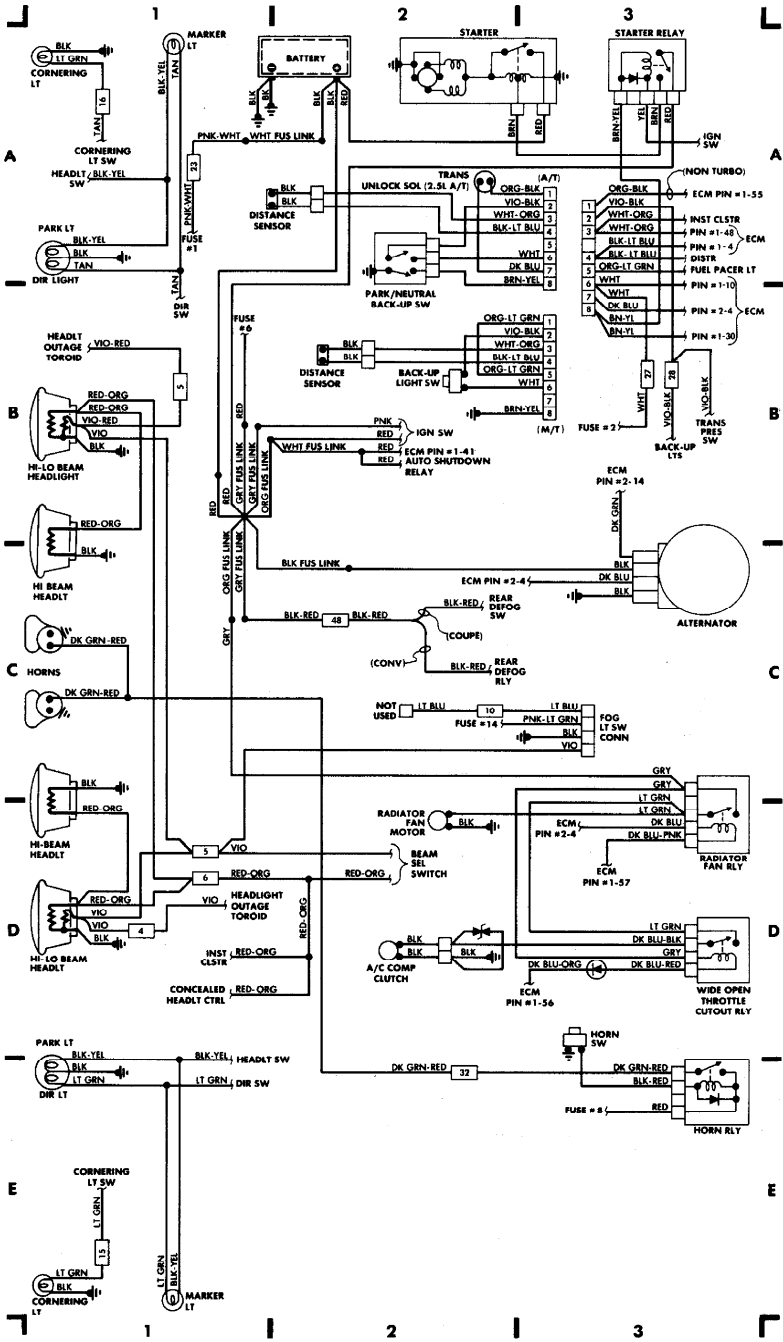
COMPONENT LOCATIONS TABLE

Component	Figure No. (Location)
A/C (Auto)	7 (B,C,D,E-26,27)
A/C (Manual)	5 (E-16)
Auto Shutdown Relay	3 (B,C-3)
Auto Shutdown Relay (Turbo)	2 (B,C-3)
Alternator	1 (B,C-3)
Back-up Light Switch (M/T)	1 (B-2)
Battery	1 (A-2)
Beam Selector Switch	1 (A-5)
Buzzer	5 (B,C-19)
Concealed Headlight Control	5 (C-19)
Cruise Control	5 (A,B-16)
Directional & Cornering Light Switch	4 (A,B,C-12)
Distance Sensor	1 (A-2) & (B-2)
Distributor	3 (D-11)
Distributor (Turbo)	2 (D-7)
Door Ajar Switches	8 (C-29)
Door Switches	8 (D,E-29)
ECM	3 (A,B,C,D,E-8)
ECM (Turbo)	2 (A,B,C,D,E-4)
Electronic Monitor	6 (D,E-20)
Electronic Voice Alert	6 (B,C-20)
Entry Illumination Timer	5 (D-19)
Fuel Tank Sending Unit	8 (C,D-29)
Fuse Block	4 (C,D,E-13,14)
Headlight Outage Toroid	6 (D,E-22)
Headlight Switch	4 (A,B,C-15)
Heater Central Switch	4 (E-18,19)
Horn Relay	1 (E-3)
Ignition Switch	4 (A-13,14)
Instrument Cluster (Analog)	6 (C,D,E-22,23)
Instrument Cluster (Electronic)	6 (A-20,21,22)
Intermittent Wiper Motor	5 (C,D-17)
Key-In Switch	4 (C-13)
Mirror Heaters	5 (B-19)
Overhead Console Control	7 (C,D-24)
Park/Neutral Back-up Light Switch	1 (A,B-2)
Power Antenna Relay	8 (A-28)
Power Door Lock System	8 (A-29,30)
Power Mirror System	8 (B,C-28,29)
Power Seat System	8 (B-28,29)
Power Top System	5 (D,E-17)
Power Window System	8 (C,D,E-28)
Radiator Fan Relay	1 (C,D-3)
Rear Defog System (Conv)	7 (A,B-26,27)
Rear Defog System (Coupe)	7 (A-19)
Starter Relay	1 (A-3)
Stop Light Switch	5 (B-17)
Time Delay Relay	4 (D-13)
transmission Pressure Switch	6 (C-21)

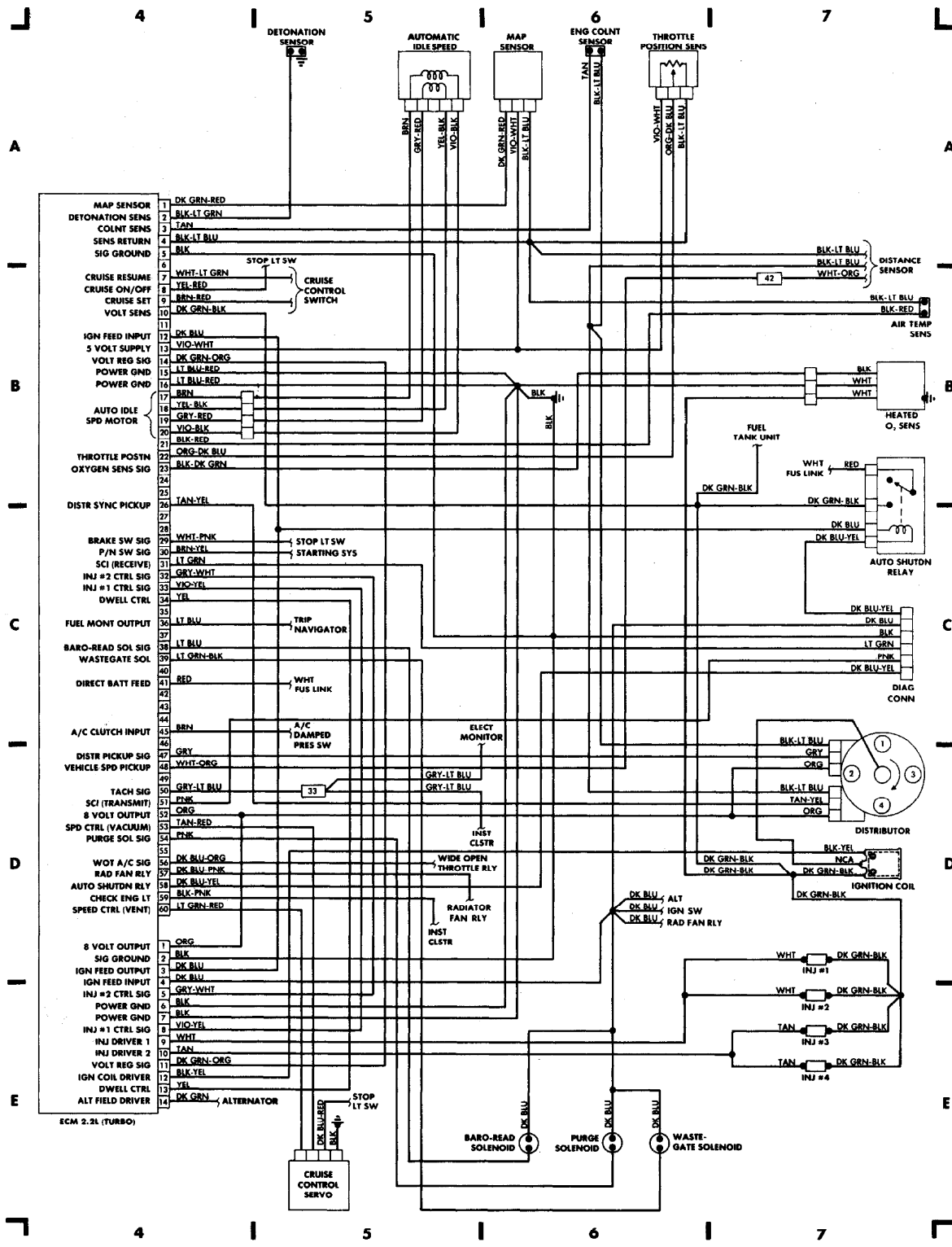
Transmission Unlock Solenoid	1 (A-2)
Trip Navigator	7 (D,E-24)
Visual Message Control	6 (A,B-25,26)
Washer Low Fluid Level Sensor	4 (B-17)
Wide Open Throttle Cutout Relay	1 (D-3)

COMPONENT LOCATOR:

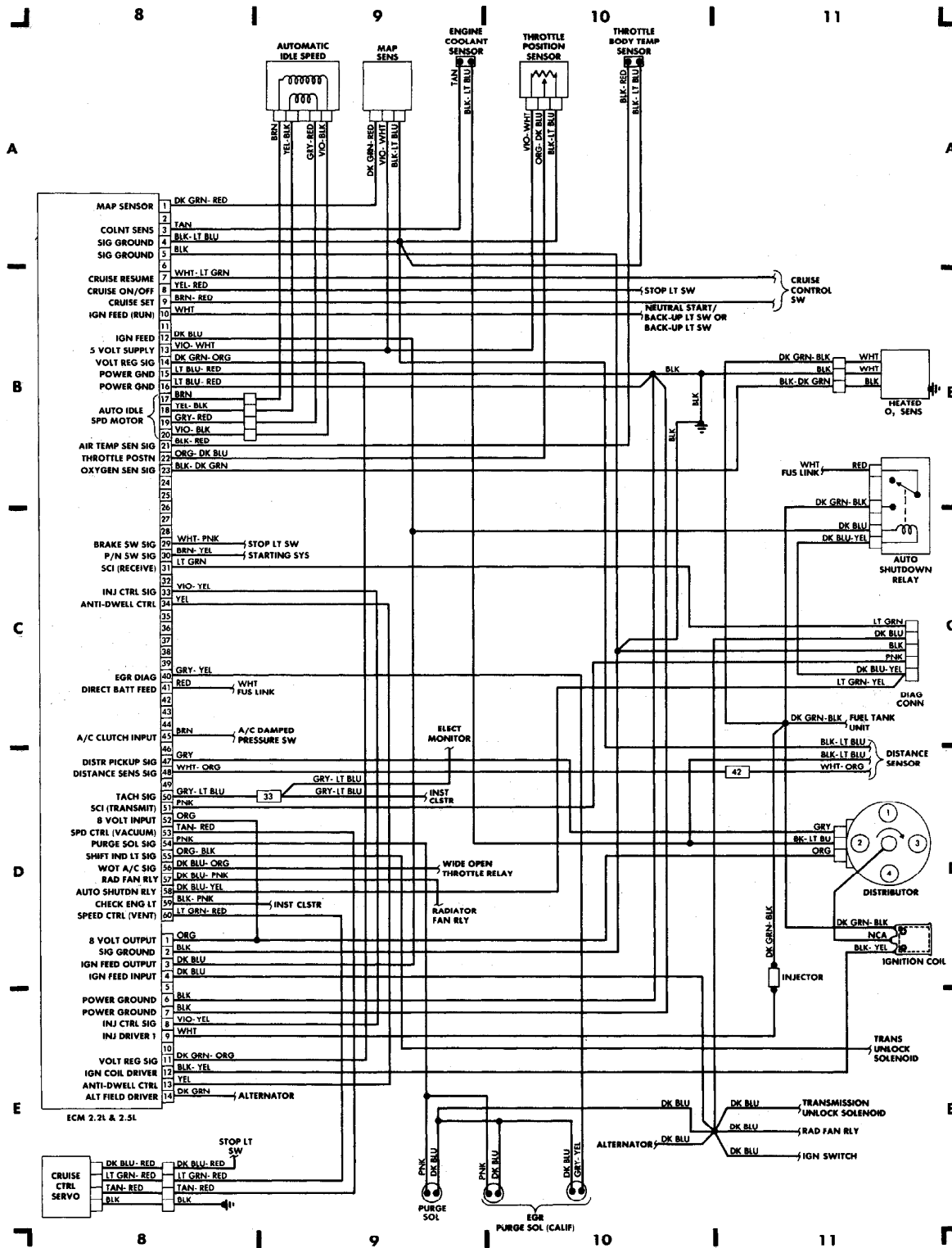
A/C (AUTO)	B-E 26-27
A/C (MAN)	E 16
AUTO SHUTDN RLY	B-C 11
AUTO SHUTDN RLY (TURBO)	B-C 7
ALTERNATOR	B-C 3
BACK-UP LT SW (M/T)	B 2
BATTERY	A 2
BEAM SEL SWITCH	B-C 19
BUZZER	B-C 19
CONCEALED HEADLT CTRL	C 19
CRUISE CTRL	A-B 16
DIRECTIONAL & CORNERING LIGHT SWITCH	A-C 12
DISTANCE SENSOR	A 2, B 2
DISTRIBUTOR	D 11
DISTRIBUTOR (TURBO)	D 7
DOOR AJAR SWITCHES	C 29
DOOR SWITCHES	D-E 29
ECM	A-E 8
ECM (TURBO)	A-E 4
ELECT MONITOR	D-E 20
ELECT VOICE ALERT	B-C 20
FUEL TANK SENDING UNIT	C-D 29
FUSE BLOCK	C-E 13-14
HEADLT OUTAGE TOROID	D-E 22
HEADLT SWITCH	A-C 18
HEATER CTRL SWITCH	E 18-19
HORN RELAY	E 3
IGNITION SWITCH	A 13-14
ILLUM ENTRY TIMER	A 19
INST CLSTR (ANALOG)	C-E 22-23
INST CLSTR (ELECT)	A 20-22
INTERM WIPER MTR	C-D 17
KEY-IN SWITCH	C 13
MIRROR HEATERS	B 19
OVERHEAD CONSOLE CTRL	C-D 24
PARK/NEUTRAL BACK-UP LIGHT SWITCH	A-B 2
POWER ANTENNA RLY	A 28
POWER DOOR LOCK SYS	A 29-30
POWER MIRROR SYS	B-C 28-29
POWER SEAT SYS	B 28-29
POWER TOP SYS	D-E 17
POWER WINDOW SYS	C-E 28
RADIATOR FAN RLY	C-D 3
REAR DEFOG SYS (CONV)	A-B 26-27
REAR DEFOG SYS (COUPE)	A 19
STARTER RELAY	A 3
STOP LIGHT SWITCH	B 17
TIME DELAY RELAY	D 13
TRANS PRES SWITCH	C 21
TRANSMISSION UNLOCK SOL	A 2
TRIP NAVIGATOR	D-E 24
VISUAL MESSAGE CNTR	A-B 25-26
WASHER LOW FLUID LVL SENS	B 17
WIDE OPEN THROTTLE CUTOUT RELAY	D 3



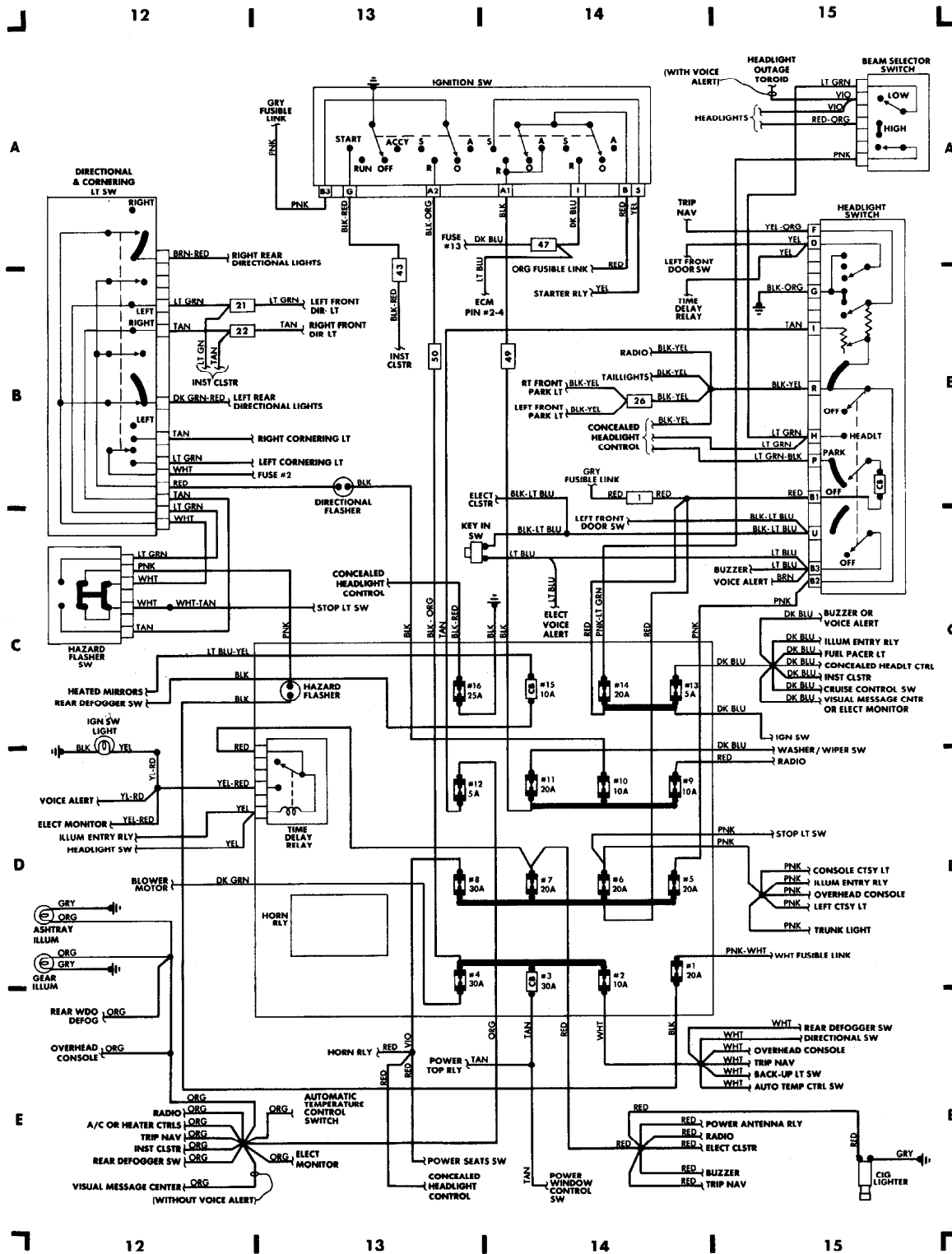
98403
Fig. 1: Engine Compartment & Headlights



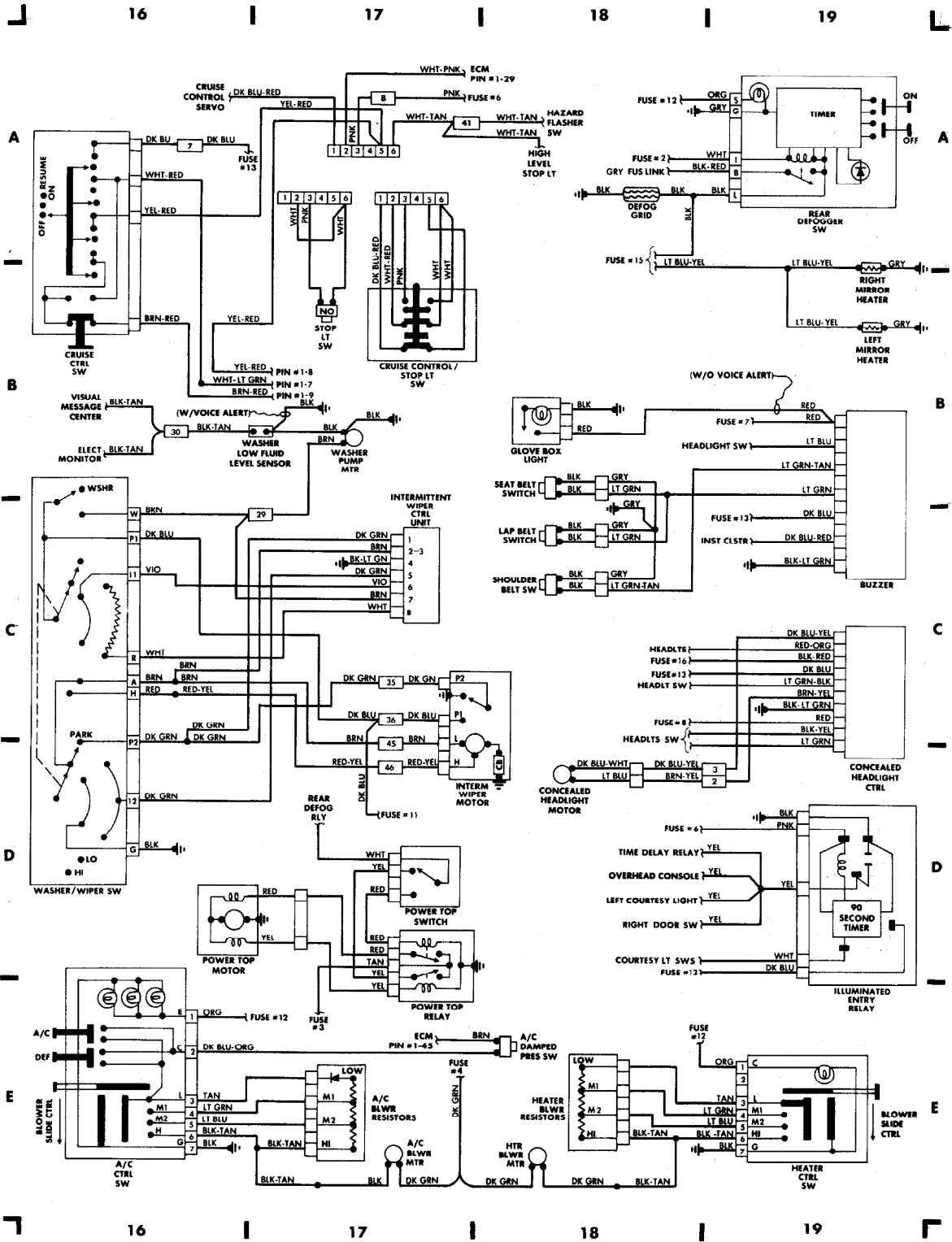
98404
 Fig. 2: Computer Engine Control (MPFI)



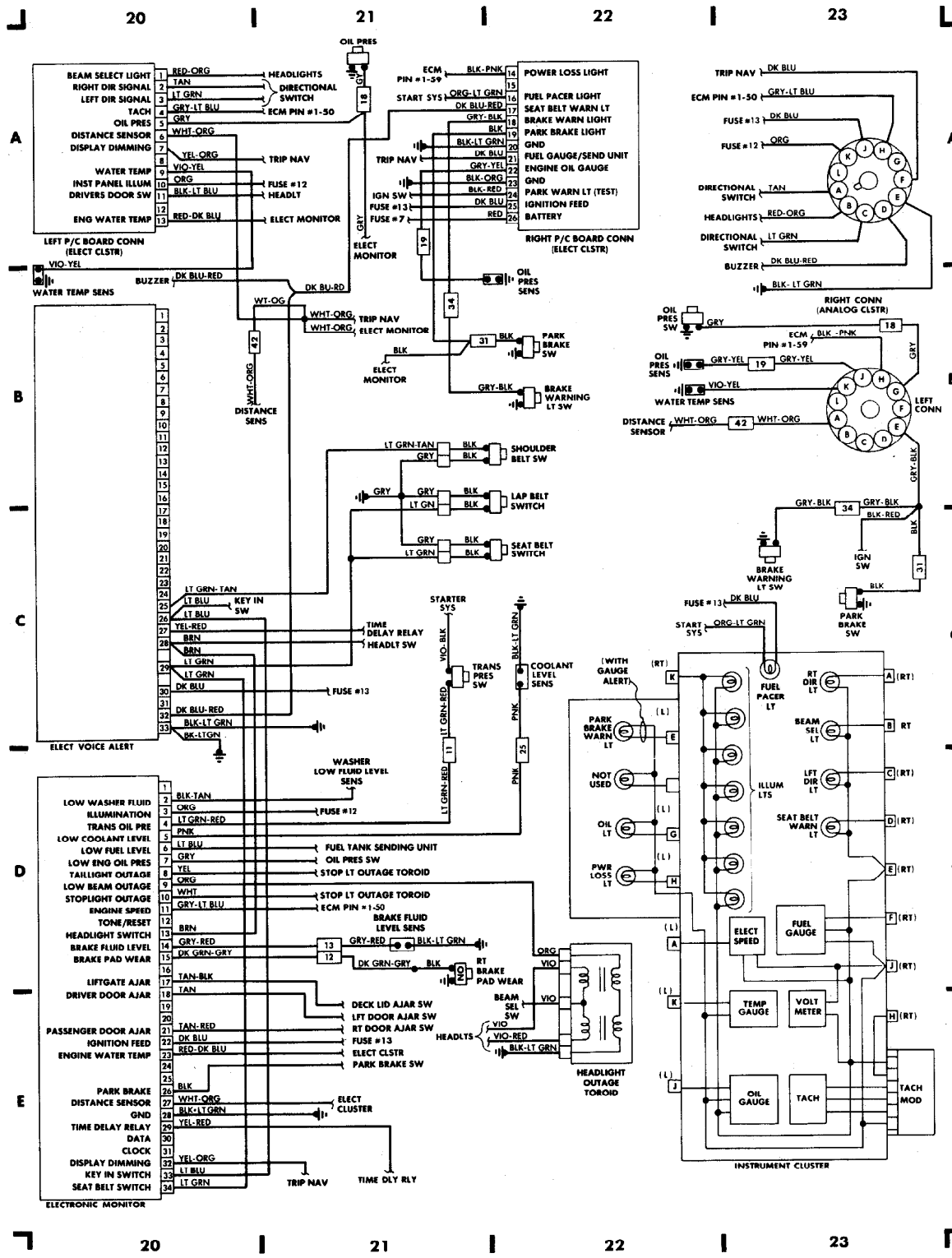
98405
Fig. 3: Computer Engine Control (TBI)



98406
Fig. 4: Fuse Block

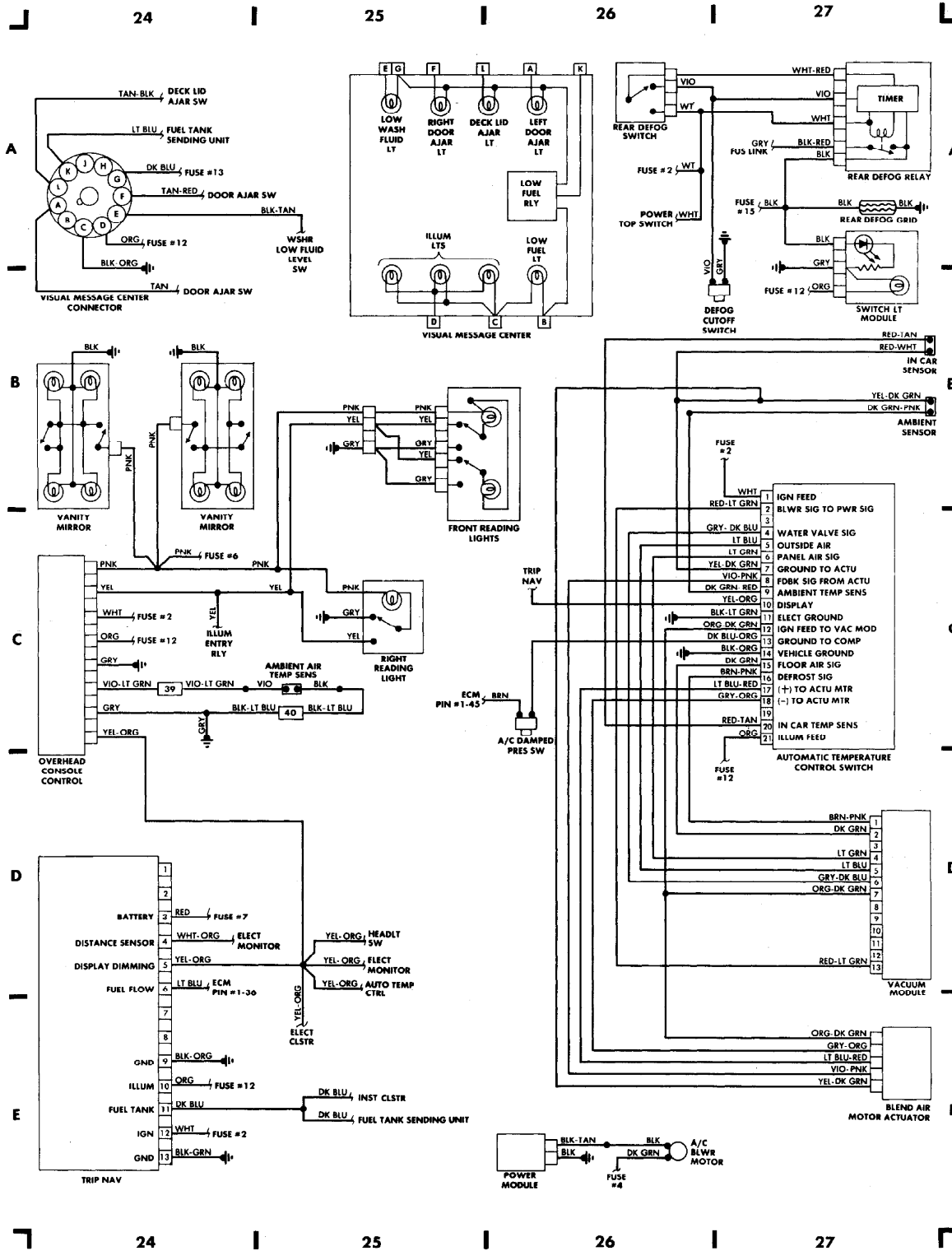


98407
 Fig. 5: Instrument Panel

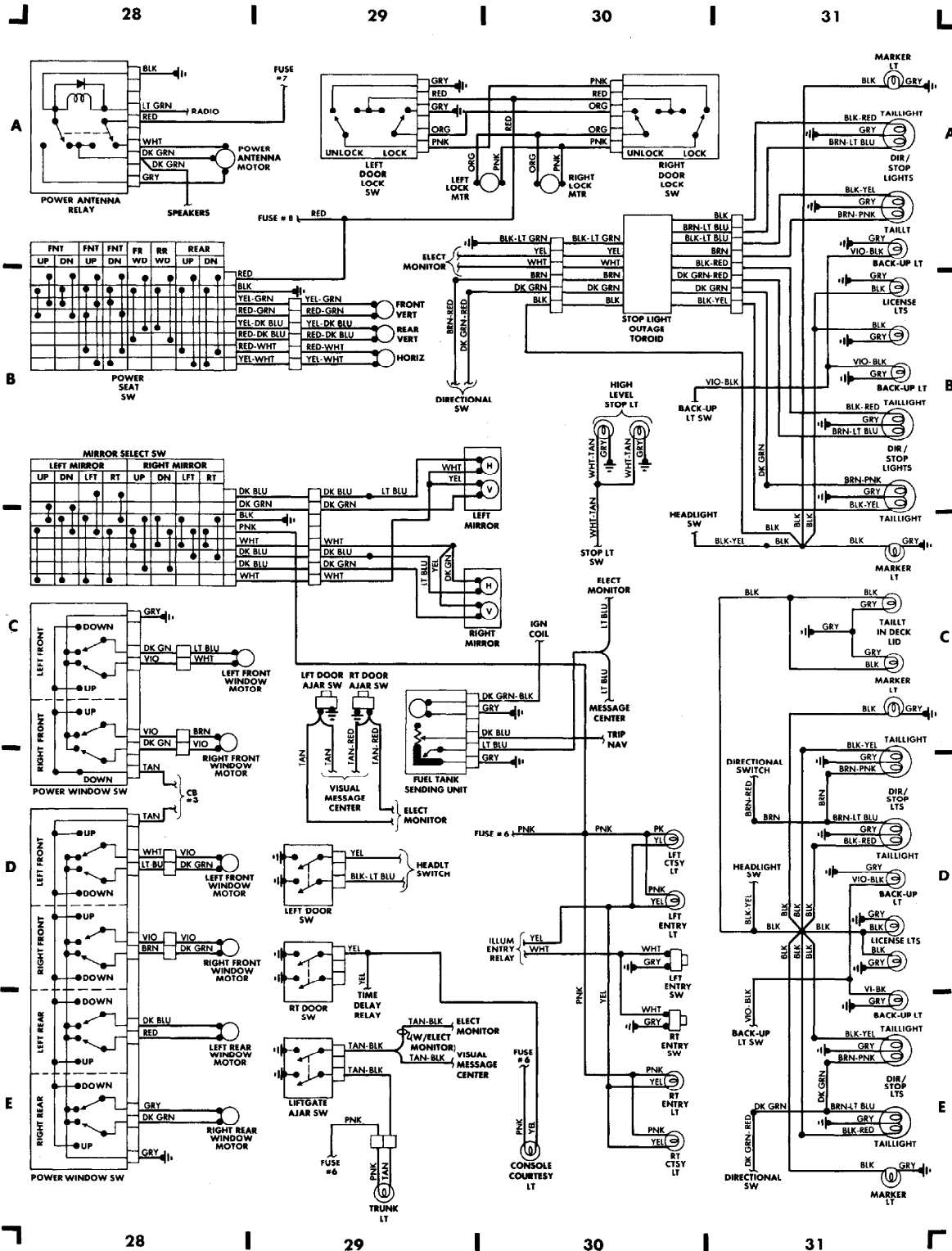


98408

Fig. 6: Electronic Body Control System (1 of 2)



98409
Fig. 7: Electronic Body Control System (2 of 2)



98410
 Fig. 8: Passenger Compartment & Taillights